



Importer & Distributor  
of Bathroomware  
& Kitchen Sinks



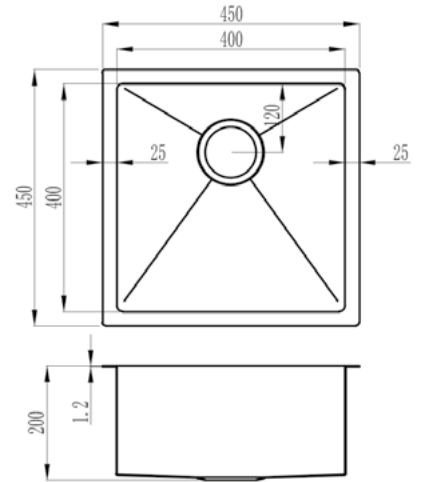
# KITCHEN SINKS LAUNDRY TROUGHES



Size: 450x450x200 mm  
 Thickness 1.2 mm  
 Stainless Steel Grade 304

**Atlas Handmade KITCHEN SINK**

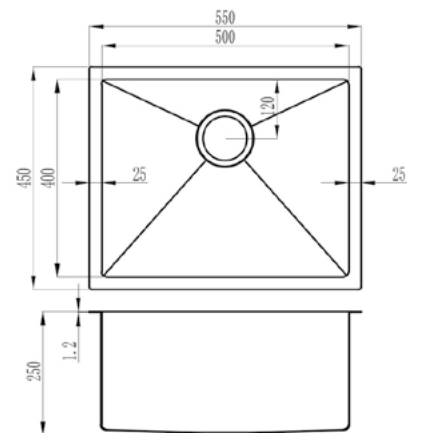
**BKS-HA4545**



Size: 550x450x250 mm  
 Thickness 1.2 mm  
 Stainless Steel Grade 304

**Atlas Handmade KITCHEN SINK**

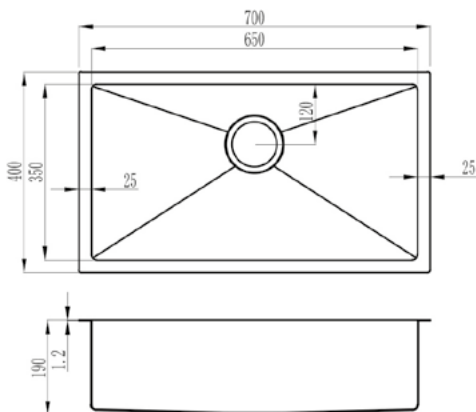
**BKS-HA5545**



**BKS-HA7040**

**Atlas Handmade KITCHEN SINK**

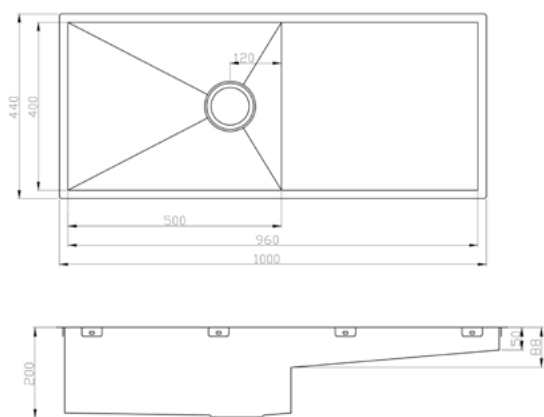
Size: 700 x 400 x 190 mm  
 Thickness 1.2 mm  
 Stainless Steel Grade 304



**BKS-HA10044**

**Atlas Handmade KITCHEN SINK**

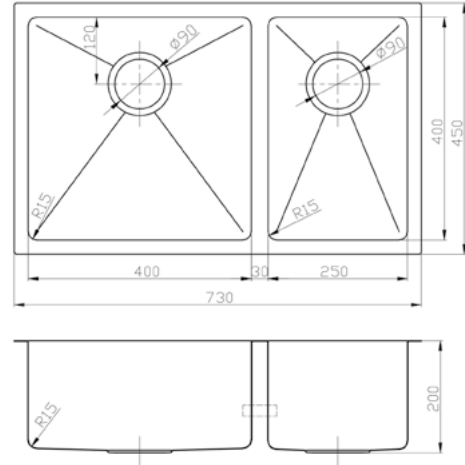
Size: 1000 x 440 x 200 mm  
 Thickness 1.2 mm  
 Stainless Steel Grade 304



Size: 730 x 450 x 200 mm  
 Thickness 1.2 mm  
 Stainless Steel Grade 304

**Atlas Handmade KITCHEN SINK**

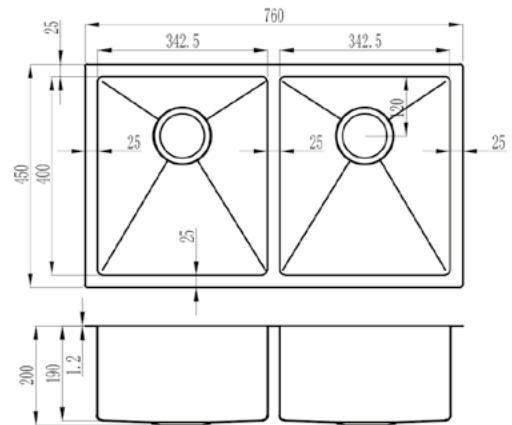
**BKS-HA7345**



Size: 760x450x200 mm  
 Thickness 1.2 mm  
 Stainless Steel Grade 304

**Atlas Handmade KITCHEN SINK**

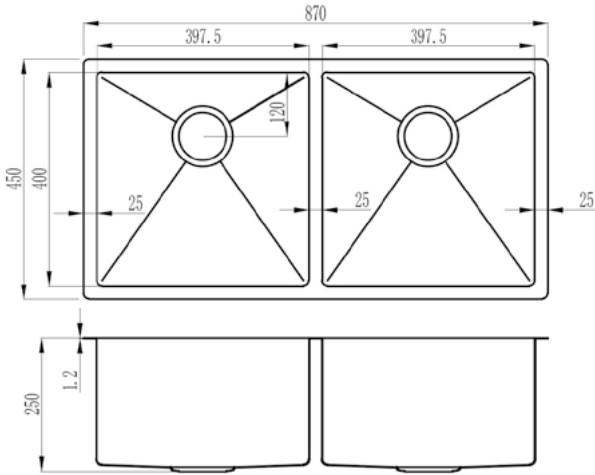
**BKS-HA7644**



**BKS-HA8744**

**Atlas Handmade KITCHEN SINK**

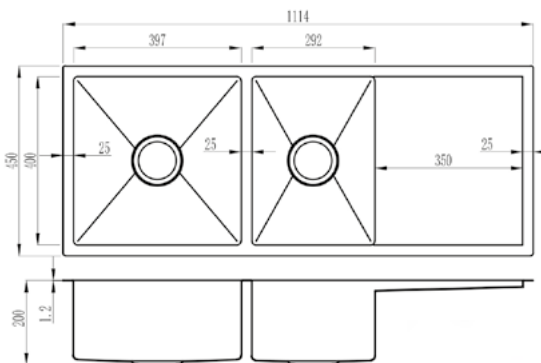
Size: 870x450x250 mm  
 Thickness 1.2 mm  
 Stainless Steel Grade 304



**BKS-HA11144**

**Atlas Handmade KITCHEN SINK**

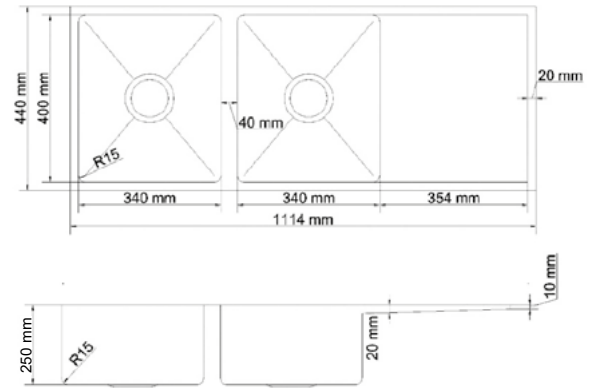
Size: 1114x450x200 mm  
 Thickness 1.2 mm  
 Stainless Steel Grade 304



Size: 1114x440x250 mm  
 Thickness 1.2 mm  
 Stainless Steel Grade 304

**Atlas Handmade KITCHEN SINK**

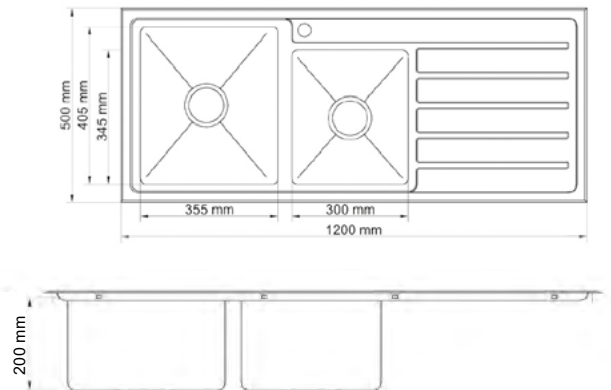
**BKS-HA11144D**



Size: 1200x500x200 mm  
 Thickness 1.2 mm

**Paris Handmade KITCHEN SINK**

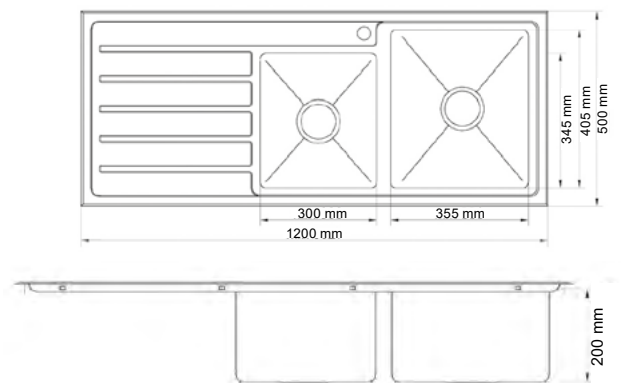
**LHB: BKS-HP12050A**



Size: 1200x500x200 mm  
 Thickness 1.2 mm

**Paris Handmade KITCHEN SINK**

**LHB: BKS-HP12050B**

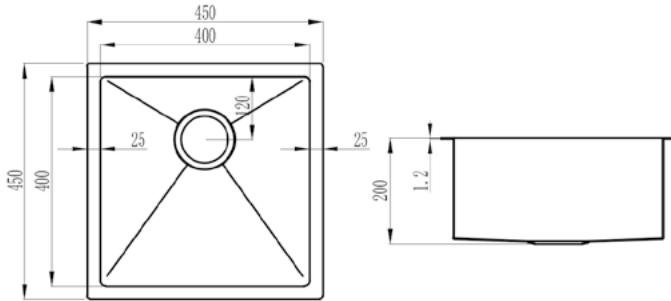




**BKS-HA4545 black**

**Atlas Handmade KITCHEN SINK in gunmetal black**

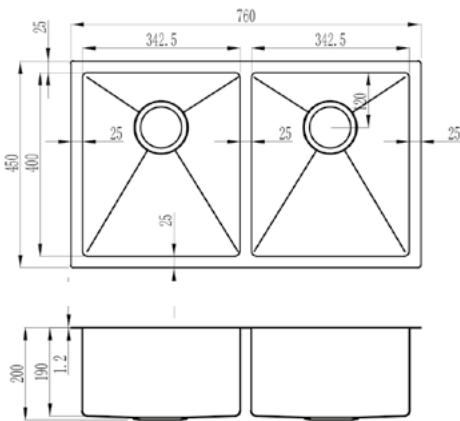
Size: 450x450x200 mm  
 Thickness 1.2 mm  
 Stainless Steel Grade 304  
 Color: Gunmetal Black



**BKS-HA7644 black**

**Atlas Handmade KITCHEN SINK in gunmetal black**

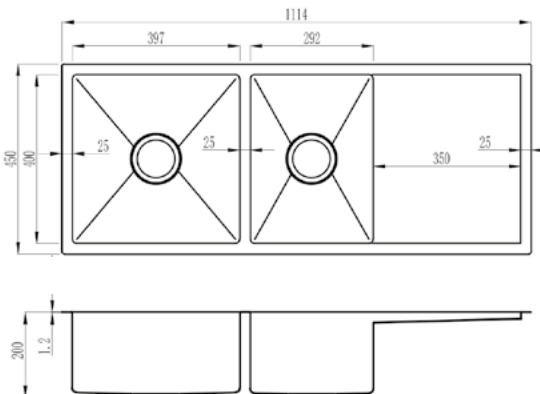
Size: 760x450x200 mm  
 Thickness 1.2 mm  
 Stainless Steel Grade 304  
 Color: Gunmetal Black



**BKS-HA1144 black**

**Atlas Handmade KITCHEN SINK in gunmetal black**

Size: 1114x450x200 mm  
 Thickness 1.2 mm  
 Stainless Steel Grade 304  
 Color: Gunmetal Black



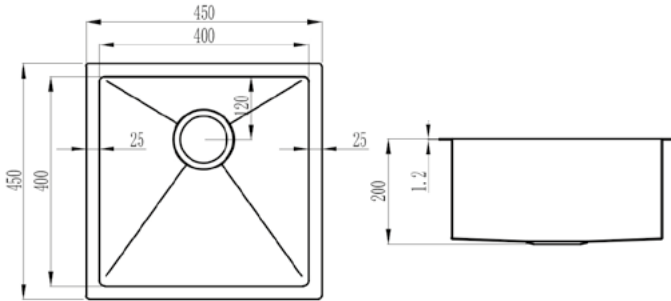




**BKS-HA4545 copper**

**Atlas Handmade KITCHEN SINK in copper**

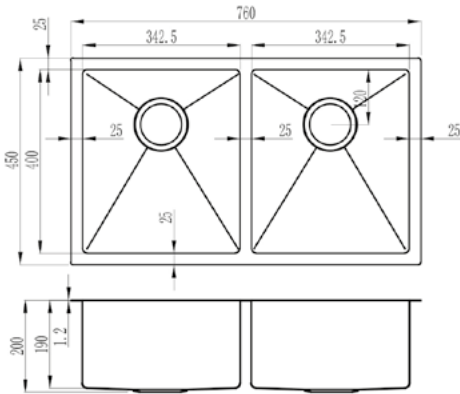
Size 450 x 450 x 200 mm  
 Thickness 1.2 mm  
 Stainless Steel Grade 304  
 Color: Copper



**BKS-HA7644 Copper**

**Atlas Handmade KITCHEN SINK in copper**

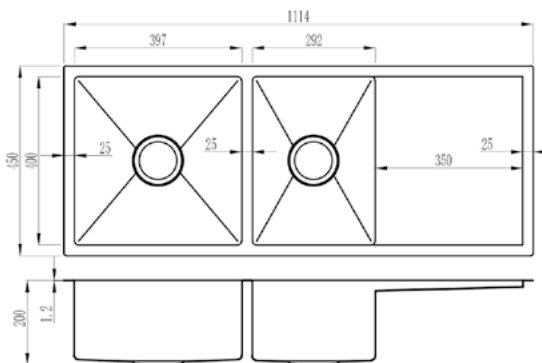
Size: 760x450x200 mm  
 Thickness 1.2 mm  
 Stainless Steel Grade 304  
 Color: Copper



**BKS-HA11144 copper**

**Atlas Handmade KITCHEN SINK in copper**

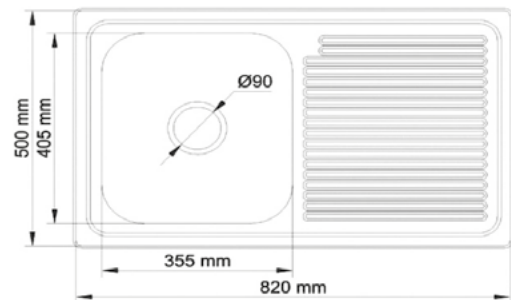
Size: 1114x450x200 mm  
 Thickness 1.2 mm  
 Stainless Steel Grade 304  
 Color: Copper



Size 820 x 500 x 170 mm  
 Thickness 0.8 mm  
 Stainless Steel Grade 304  
 Available as right/left hand bowl

### Athens Pressing KITCHEN SINK

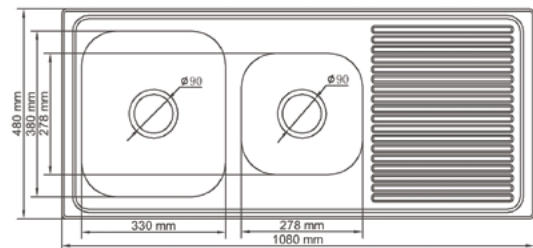
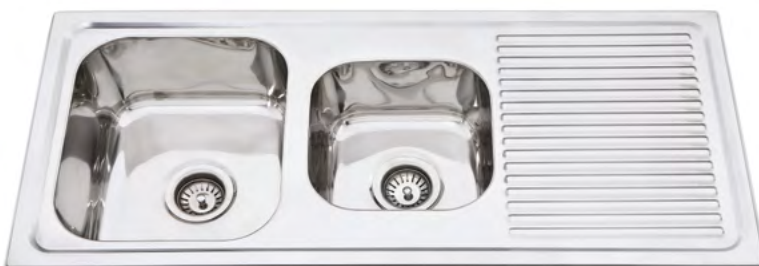
BKS-PA100



Size 1080x480x170 mm  
 Thickness 0.8 mm  
 Stainless Steel Grade 304  
 Available as right/left hand bowl

### Athens Pressing KITCHEN SINK

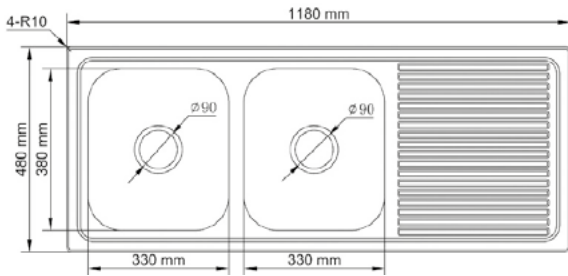
BKS-PA150



**BKS-PA200**

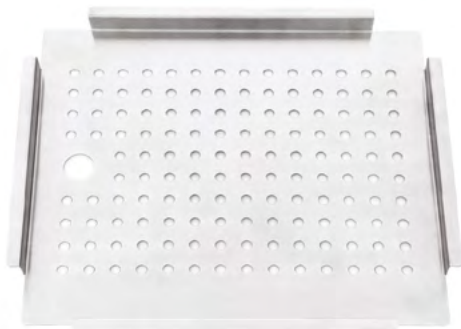
**Athens Pressing KITCHEN SINK**

Size 1180x480x170 mm  
 Thickness 0.8 mm  
 Stainless Steel Grade 304  
 Available as right/left hand bowl



**TF-1**

**STAINLESS STEEL DRAIN TRAY**



**CB-2**

**CHOPPING BOARD**



**BKS-PS6347****Sofia LAUNDRY TROUGH**

Size 630x470x220 mm  
 Thickness 0.8 mm  
 Capacity: 45 litre

**BKS-PS6050****Sofia LAUNDRY TROUGH**

Size 600x500x225 mm  
 Thickness 0.8 mm  
 Capacity: 45 litre

**BKS-PS5545****Sofia LAUNDRY TROUGH**

Size 555x455x200 mm  
 Thickness 0.8 mm  
 Capacity: 35 litre

**BKS-PS5039****Sofia LAUNDRY TROUGH**

Size 500x390x200 mm  
 Thickness 0.8 mm  
 Capacity: 27 litre

**BKS-PS3950****Sofia LAUNDRY TROUGH**

Size: 390x500x200 mm  
 Thickness 0.8 mm  
 Capacity: 27 litre

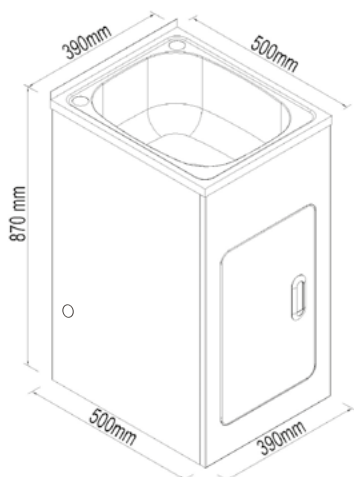




**Tulsa LAUNDRY TROUGH WITH CABINET**

**BLC-T27**

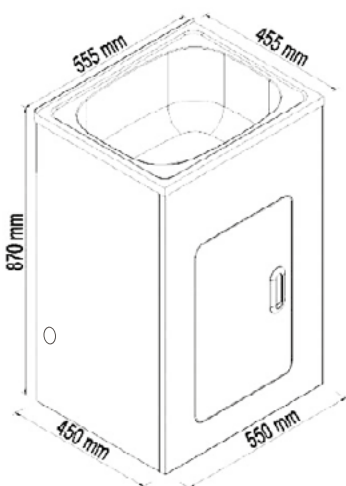
Size 390x500x870 mm  
 Thickness 0.8 mm  
 Material: metal  
 Capacity: 27 litre



**Tulsa LAUNDRY TROUGH WITH CABINET**

**BLC-T35A**

Size 555x455x870 mm  
 Thickness 0.8 mm  
 Material: metal  
 Capacity: 35 litre

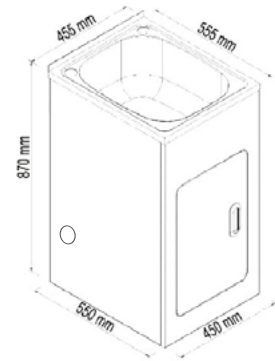


**BLC-T35B**

**Tulsa LAUNDRY TROUGH WITH CABINET**



Size 455x555x870 mm  
 Thickness 0.8 mm  
 Material: metal  
 Capacity: 35 litre

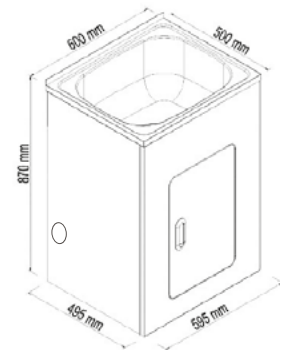


**BLC-T45**

**Tulsa LAUNDRY TROUGH WITH CABINET**



Size 600x500x870 mm  
 Thickness 0.8 mm  
 Material: metal  
 Capacity: 45 litre

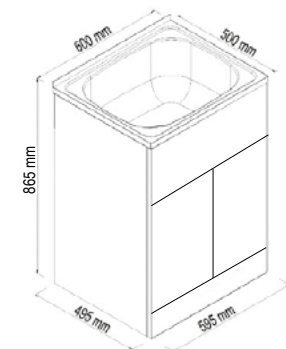


**BRC-T45**

**Rio LAUNDRY TROUGH WITH CABINET**

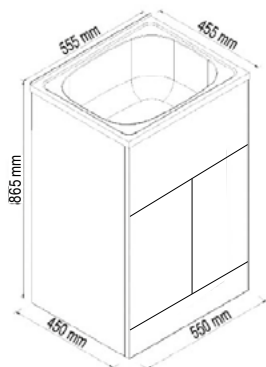


Size 595x495x865 mm  
 Thickness 0.8 mm  
 Material: MDF  
 Capacity: 45 litre



**Rio LAUNDRY TROUGH WITH CABINET**

**BRC-T35A**

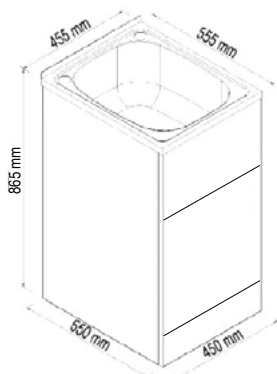


Size 550x450x865 mm  
 Thickness 0.8 mm  
 Material: MDF  
 Capacity: 35 litre



**Rio LAUNDRY TROUGH WITH CABINET**

**BRC-T35B**

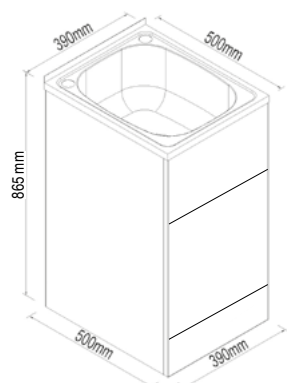


Size: 445x550x865 mm  
 Thickness: 0.8 mm  
 Material: MDF  
 Capacity: 35 litre



**Rio LAUNDRY TROUGH WITH CABINET**

**BRC-T27**



Size: 385x495x865 mm  
 Thickness: 0.8 mm  
 Material: MDF  
 Capacity: 27 litre





## **BESTBM PTY LTD**

24C Princes Hwy,  
Doveton, VIC 3177, Australia

**Support and Service:** +61 (0)3 9793 1111

[info@bestbm.com.au](mailto:info@bestbm.com.au)

[www.bestbm.com.au](http://www.bestbm.com.au)

Due to limitations in the printing process the colours in this brochure are a guide only. The information contained is subject to change without notice and contains general descriptions of technical options available, which not always applies to individual cases. All dimensions are in mm (10 mm = 1 cm). Copyright BestBM Pty Ltd.