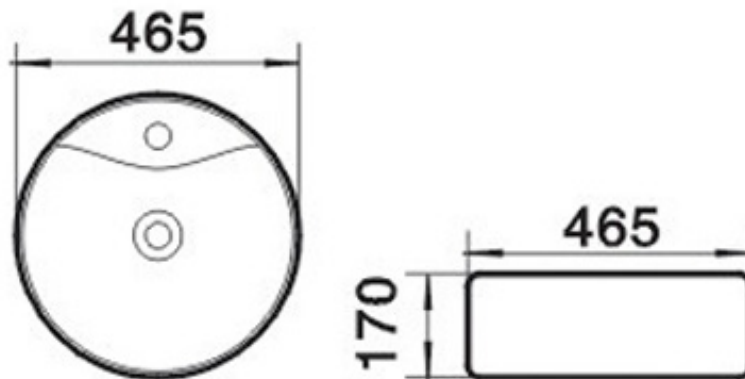




Features:

- Classic, symmetrical design
- Above counter installation
- Sleek thin-edge profile
- Gloss white finish
- Superior vitreous china
- Chrome-plated plastic overflow cap/ring included
- One tap hole
- Suits 32 mm drain waste with overflow (not included)
- Mixer tap & waste not included (sold separately)



Additional Information

- Product installation should be in accordance with the relevant standards.
- In order to fully benefit from warranty claims, please ensure products are installed by a licensed plumber.
- All measurements are in millimeters.
- Dimensions are nominal and subject to normal ceramic manufacturing variations. Please allow +/- 15 mm tolerance.
- For mark-ups & roughing-in, always use actual product measurement.
- Specifications may vary without notice as part of our continuous improvement practices.

Maintenance & Care

- Use a mild, non-abrasive, non-citrus based cleanser and a soft cloth or sponge to clean the basin's surface regularly.
- Do not use any abrasive cleaners, liquids or pastes or harsh chemicals, as they can damage the finish.
- Do not use solvents or corrosive liquids.
- Promptly wipe away spills of colored liquids (such as dyes, hair products, nail polish, or strong pigments) and other harsh chemicals (such as after-shave lotion, aerosol spray or nail polish remover) to prevent potential staining.
- Avoid exposing the basin to rapid temperature changes, as this can lead to cracks.
- Avoid using hot objects such as hair styling tools on the basin as it may cause potential damage or staining.

Check out our full range of products on our website:



BESTBM.COM.AU