



Ceramic Back To Wall Toilet Suite Fast Flow Rimless, Square design

Features:

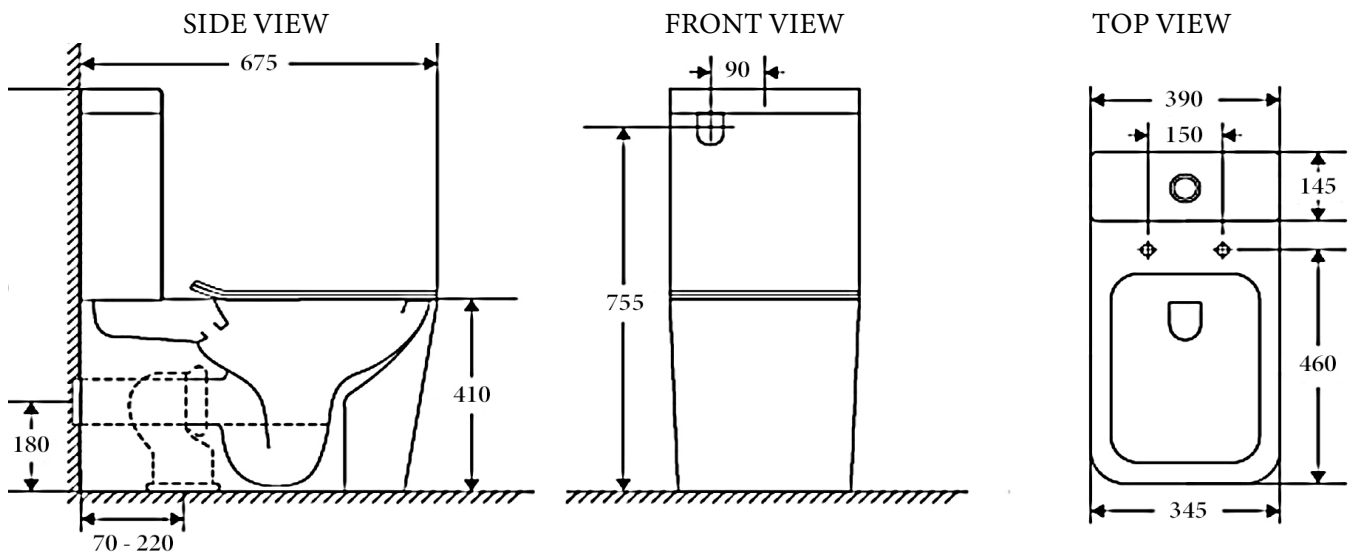
- Sleek modern design sits flushed against the wall
- Fast Flow Rimless design for easy-to-clean and hygienic toilet
- Gloss white surface finish
- Large rectangular easy-to-use flush button
- Aminoplast (UF) quick release soft closing seat cover with stainless steel hinges

Available Seat Covers:

- SQW215 Flat Square Seat - Default (20 mm lid profile)
SQL623 Slim Square Seat (20 mm lid profile)

Details:

- Cistern Universal inlet - compatible with back entry or bottom left/right inlet point
Pan Fast Flow Rimless design
Traps Universal - compatible with S or P-trap installation
Seat UF quick release soft closing seat
Wels 4 Star rated, 4.5L/3L (3.5L average flush)
Setout 70 - 170mm
Extendable to 220 mm (pipe: AD17, extra cost)



Additional Information

- Installation should be in accordance with AS/NZS3500 standards.
- In order to fully benefit from warranty claims, please ensure products are installed by a licensed plumber.
- All measurements are in millimeters.
- Dimensions are nominal and subject to normal ceramic manufacturing variations. Please allow +/- 15 mm tolerance.
- For mark-ups & roughing-in, always use actual product measurement.
- Specifications may vary without notice as part of our continuous improvement practices.

Maintenance & Care

- Toilet seat cover can be removed for cleaning by pressing quick release buttons and lifting up.
- Clean with a toilet brush or soft cloth/sponge using warm water and mild soap or detergent.
- Do not use any abrasive cleaners, liquids or pastes.
- Do not use solvents or corrosive liquids.
- Please do not close the seat cover forcibly to extend the soft-close function lifespan.

Installation Manual Video



BESTBM.COM.AU