



Ceramic Floor Pan Toilet Suite Disabled toilet, Fast Flow Rimless, Nanoglaze protection

Features:

- Sleek modern design sits flushed against the wall
- Fast Flow Rimless design for easy-to-clean and hygienic toilet
- Concealed cistern removes hard-to-reach areas preventing dirt, dust and germs build-up
- Gloss white finish with Nanoglaze surface protection provides anti-bacterial and grime-resistant qualities
- Disabled toilet suite aids suitability for persons with disability
- Contrasting seat colour assists persons with vision and perception difficulties
- Aminoplast (UF) seat with stainless steel hinges
- Cistern and flush buttons required (sold externally)
- This product meets AS1428.1-2009 Australian Standards around design for access and mobility

Details:

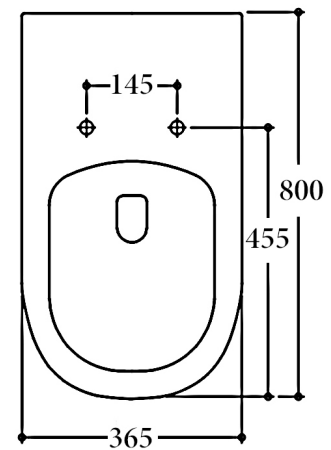
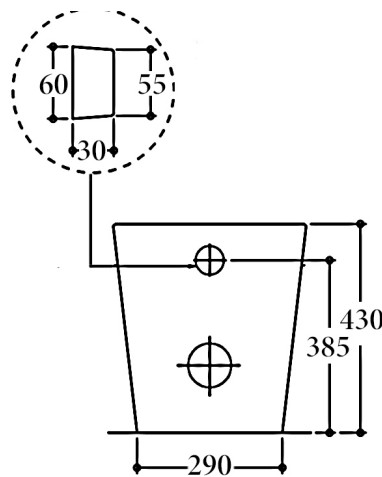
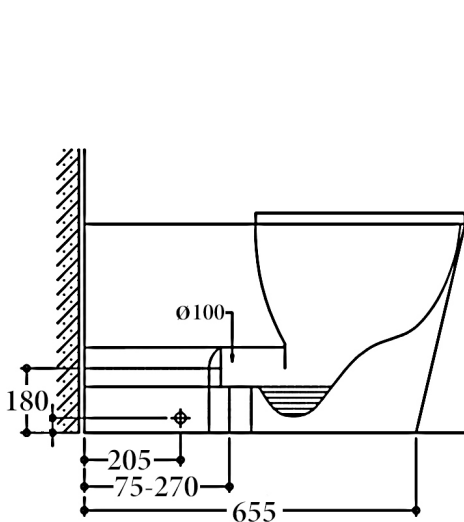
Pan	Fast Flow Rimless design
Traps	Universal - compatible with S or P-trap installation
Seat	UF seat
WELS	4 Star rated, 4.5L/3L (3.5L average flush)
Setout	75-270mm



SIDE VIEW

BACK VIEW

TOP VIEW



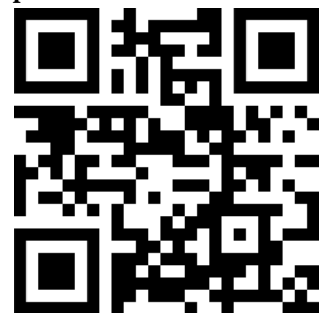
Additional Information

- Installation should be in accordance with AS/NZS3500 standards.
- In order to fully benefit from warranty claims, please ensure products are installed by a licensed plumber.
- All measurements are in millimeters.
- Dimensions are nominal and subject to normal ceramic manufacturing variations. Please allow +/- 15 mm tolerance.
- For mark-ups & roughing-in, always use actual product measurement.
- Specifications may vary without notice as part of our continuous improvement practices.

Maintenance & Care

- Toilet seat cover can be removed for cleaning by pressing quick release buttons and lifting up.
- Clean with a toilet brush or soft cloth/sponge using warm water and mild soap or detergent.
- Do not use any abrasive cleaners, liquids or pastes.
- Do not use solvents or corrosive liquids.
- Please do not close the seat cover forcibly to extend the soft-close function lifespan.

Check out our full range of products on our website:



BESTBM.COM.AU