



Ceramic Close Coupled Toilet Suite

Nanoglaze protection

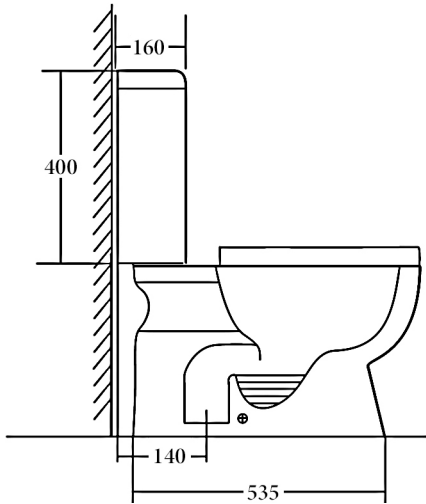
Features:

- Economical and easy-to-install toilet suite
- Gloss white finish with Nanoglaze surface protection provides anti-bacterial and grime-resistant qualities
- Large round easy-to-use flush button
- Thermoplastic (PP) quick release soft closing seat cover with stainless steel hinges

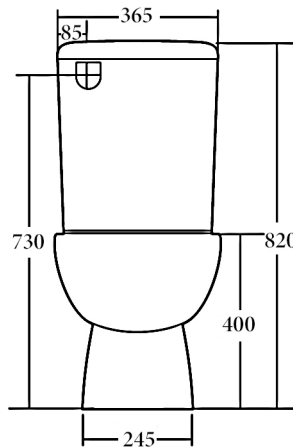
Details:

Cistern	Bottom right inlet point (Universal inlet - compatible with back entry or bottom left inlet point - extra cost)
Pan	Nano glaze protection
Traps	S-trap installation
Seat	PP quick release soft closing seat
Wels	4 Star rated, 4.5L/3L (3.5L average flush)
Setout	140mm (S-Trap)

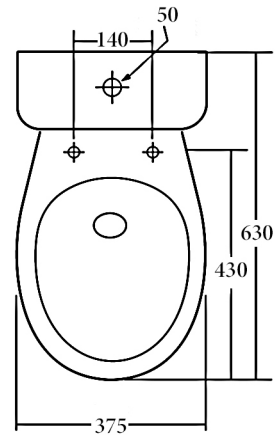
SIDE VIEW



FRONT VIEW



TOP VIEW



Additional Information

- Installation should be in accordance with AS/NZS3500 standards.
- In order to fully benefit from warranty claims, please ensure products are installed by a licensed plumber.
- All measurements are in millimeters.
- Dimensions are nominal and subject to normal ceramic manufacturing variations. Please allow +/- 15 mm tolerance.
- For mark-ups & roughing-in, always use actual product measurement.
- Specifications may vary without notice as part of our continuous improvement practices.

Maintenance & Care

- Toilet seat cover can be removed for cleaning by pressing quick release buttons and lifting up.
- Clean with a toilet brush or soft cloth/sponge using warm water and mild soap or detergent.
- Do not use any abrasive cleaners, liquids or pastes.
- Do not use solvents or corrosive liquids.
- Please do not close the seat cover forcibly to extend the soft-close function lifespan.

Check out our full range of products on our website:



BESTBM.COM.AU